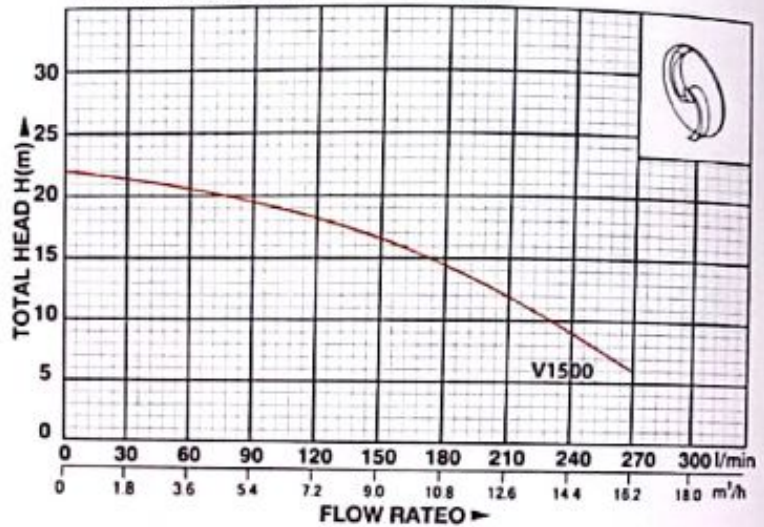




V1500F

PERFORMANCE CHART AT n=2860 r/min



Technical Data:

Model	Power (KW)	Outlet diameter (mm)	Voltage (V/Hz)	Max.flow (l/min)	Max.Head (m)	Max diameter of	G.W.	Dimensions
V1500F	1.5	50	220/50	270	22	10	27.0	58.5x35.0x94.5

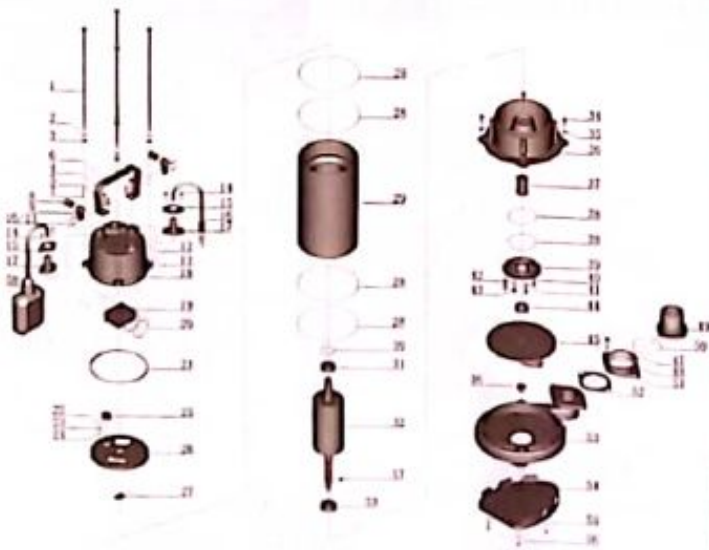
Condition of Usage:

- 1.The maximum depth allowed in water is 5m from its center of impeller;
- 2.The temperature of trans medium's shouldn't be higher than 40°C;
- 3.The trans medium's PH scope is 4-10;
- 4.The kinematics viscosity of the trans medium is $7 \times 10^{-2} \sim 23 \times 10^{-4} \text{ m}^2/\text{s}$;
5. The maximum density of the trans medium is $1.2 \times 10^3 \text{ kg/m}^3$.

Function and Feature:

This advanced V(WQ) series, a branch of single-phase and three phase drainage pumps, will be your ideal drainage helper. The letter "V" which substitutes for the letters "WQ" indicates the distinct design of the filter and the broadness of the high efficient aFea. It can work safely and efficiently at high flux with the feature of complete heads. The design is designed to a wide tunnel which helps to convey the long fiber liquid or the solid whose diameter is about 10mm. The selection of bottom suction structure stainless steel and special cast iron made the pump has the capabilities of complete drain and high resistance of abrasion and corrosion. The float switch can automatically control on and off with the change of the liquor level. The protector in the motor can automatically cut off the power when it overheated or overcurrented thus guarantee the security and reliability of pump's run even in the atrocious environment.

Diagram:



NO.	DESCRIPTION	MATERIAL	NO.	DESCRIPTION	MATERIAL
1	Bolt	11	30	Undulated washer	1566
2	Stretching washer	11	31	Ball bearing	Combinde Places
3	Washer	11	32	Rotor	Combinde Places
4	Bolt	11	33	Ball bearing	Combinde Places
5	Washer	11	34	Screw	11
6	Handle	11	35	Washer	11
7	Nut	11	36	Connction part	200
8	Protector	NBR	37	Mechanical seal	Alumina Graphite
9	Cable presser	11	38	O'ring	NBR
10	Washer	11	39	Oil chamber cover	200
11	Screw	11	40	Screw	11
12	Bolt	11	41	Washer	11
13	O'ring	NBR	42	O'ring	NBR
14	Screw	11	43	Screw	11
15	Flange	11	44	Oil seal	Combinde Places
16	Cable	Combinde Places	45	Impeller	200
17	Cable protector	CR	46	Nut	11
18	Cable protector	200	47	Bolt	11
19	Capacitor	Combinde Places	48	Washer	11
20	O'ring	NBR	49	Out let connector	ABS
21	Rubber washer	NBR	50	O'ring	NBR
22	Screw	CuZn40	51	Connction nut	200
23	Stretching washer	1566	52	Rubber washer	NBR
24	Washer	CuZn40	53	pump body	200
25	line protector	NBR	54	Base plate	200
26	Motor cover	200	55	Washer	11
27	Thermal protector	Combinde Places	56	Screw	11
28	O'ring	NBR	57	Float switch	Combinde Places
29	Motor cove	11			